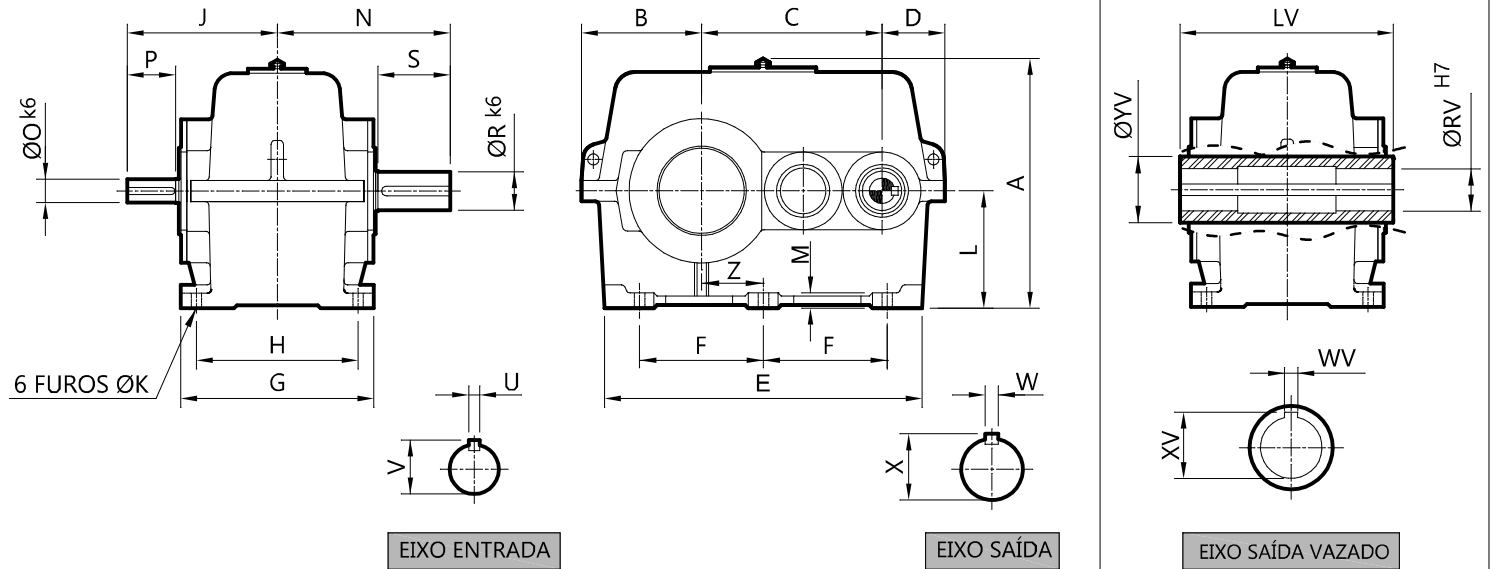


# REDUTORES A ENGRENAGENSHELICOIDAIS - LINHA H1000

## CAPACIDADES A 1750 RPM NA ENTRADA

| TIPO | REDUÇÃO       | 6,3   | 7,1   | 8     | 9     | 10    | 11,2  | 12,5  | 14    | 16    | 18    | 20    | 22,4  | 25    | 28    | 31,5  | 35,5 | 40   | 45   |
|------|---------------|-------|-------|-------|-------|-------|-------|-------|-------|-------|-------|-------|-------|-------|-------|-------|------|------|------|
| H20  | POTÊNCIA (CV) | 18.1  | 15.7  | 13.6  | 11.9  | 10.5  | 9.1   | 8.0   | 7.0   | 6.0   | 5.2   | 4.6   | 4.0   | 3.5   | 3.1   | 2.7   | —    | —    | —    |
|      | RED. EFETIVA  | 6.3   | 7.0   | 8.1   | 9.1   | 9.9   | 11.2  | 12.7  | 13.8  | 15.8  | 18.2  | 19.8  | 23.7  | 25.7  | 27.6  | 30.0  | —    | —    | —    |
|      | TORQUE (Kgfm) | 45    | 43    | 43    | 42    | 41    | 40    | 40    | 38    | 37    | 37    | 36    | 37    | 35    | 33    | 31    | —    | —    | —    |
| H21  | POTÊNCIA (CV) | 42.4  | 35.8  | 30.2  | 25.5  | 22.0  | 18.7  | 16.0  | 13.6  | 11.2  | 9.5   | 8.2   | 7.0   | 6.0   | 5.1   | 4.3   | —    | —    | —    |
|      | RED. EFETIVA  | 6.5   | 7.0   | 7.8   | 8.8   | 10.1  | 11.4  | 12.8  | 13.9  | 16.0  | 18.4  | 20.0  | 23.0  | 25.0  | 27.5  | 30.0  | —    | —    | —    |
|      | TORQUE (Kgfm) | 108   | 98    | 92    | 88    | 87    | 83    | 80    | 74    | 70    | 68    | 64.0  | 63    | 58    | 55    | 50    | —    | —    | —    |
| H22  | POTÊNCIA (CV) | 72.0  | 60.4  | 50.6  | 42.5  | 36.4  | 30.7  | 26.1  | 22.1  | 18.1  | 15.2  | 13.0  | 11.0  | 9.4   | 7.9   | 6.7   | —    | —    | —    |
|      | RED. EFETIVA  | 6.4   | 7.1   | 7.9   | 9.1   | 10.2  | 11.8  | 12.5  | 14.1  | 16.2  | 18.4  | 20.0  | 22.9  | 25.0  | 27.5  | 30.0  | —    | —    | —    |
|      | TORQUE (Kgfm) | 180   | 167   | 156   | 151   | 145   | 141   | 127   | 122   | 114   | 109   | 101   | 98    | 92    | 85    | 78    | —    | —    | —    |
| H23  | POTÊNCIA (CV) | 114.0 | 95.6  | 80.1  | 67.3  | 57.6  | 48.8  | 41.5  | 35.1  | 28.8  | 24.2  | 20.7  | 17.5  | 14.9  | 12.6  | 10.6  | —    | —    | —    |
|      | RED. EFETIVA  | 6.3   | 7.1   | 8.0   | 8.6   | 10.5  | 11.3  | 12.7  | 13.7  | 15.6  | 17.9  | 20.3  | 22.4  | 25.4  | 29.7  | 33.6  | —    | —    | —    |
|      | TORQUE (Kgfm) | 280   | 265   | 250   | 226   | 236   | 215   | 206   | 188   | 175   | 169   | 164   | 153   | 148   | 146   | 139   | —    | —    | —    |
| H24  | POTÊNCIA (CV) | 172.4 | 145.6 | 122.7 | 103.2 | 89.7  | 76.1  | 64.8  | 55.0  | 45.2  | 38.1  | 32.7  | 27.7  | 23.6  | 20.0  | 16.9  | —    | —    | —    |
|      | RED. EFETIVA  | 6.2   | 7.1   | 8.0   | 8.9   | 10.6  | 11.9  | 12.6  | 14.0  | 16.1  | 18.2  | 21.2  | 22.1  | 25.7  | 26.5  | 30.8  | —    | —    | —    |
|      | TORQUE (Kgfm) | 420   | 406   | 385   | 361   | 371   | 353   | 318   | 300   | 286   | 270   | 270   | 239   | 236   | 208   | 203   | —    | —    | —    |
| H25  | POTÊNCIA (CV) | 247.6 | 212.6 | 182.6 | 155.2 | 132.3 | 112.6 | 99.1  | 84.2  | 69.5  | 58.7  | 50.5  | 42.9  | 36.6  | 31.1  | 26.3  | 22.1 | 18.7 | 15.8 |
|      | RED. EFETIVA  | 6.2   | 7.1   | 8.0   | 8.9   | 10.5  | 11.7  | 12.4  | 13.8  | 15.8  | 18.0  | 19.6  | 21.5  | 23.4  | 28.1  | 30.7  | 35.5 | 39.2 | 43.0 |
|      | TORQUE (Kgfm) | 603   | 593   | 573   | 543   | 545   | 517   | 479   | 453   | 428   | 412   | 386   | 360   | 334   | 341   | 315   | 306  | 286  | 265  |
| H26  | POTÊNCIA (CV) | 347.6 | 298.7 | 257.8 | 222.3 | 196.1 | 170.3 | 147.2 | 125.3 | 103.7 | 87.7  | 75.6  | 64.3  | 55.1  | 46.9  | 39.7  | 33.5 | 28.3 | 23.9 |
|      | RED. EFETIVA  | 5.7   | 6.9   | 7.5   | 8.4   | 10.3  | 11.5  | 13.0  | 14.9  | 17.1  | 18.4  | 21.4  | 22.2  | 25.8  | 28.0  | 32.5  | 35.4 | 43.1 | 46.7 |
|      | TORQUE (Kgfm) | 778   | 809   | 759   | 733   | 793   | 769   | 746   | 728   | 691   | 629   | 631   | 557   | 554   | 512   | 503   | 463  | 476  | 435  |
| H27  | POTÊNCIA (CV) | 466.7 | 406.4 | 352.8 | 305.7 | 273.6 | 240.1 | 209.8 | 180.7 | 149.7 | 126.9 | 109.4 | 93.3  | 79.9  | 68.2  | 57.8  | 48.8 | 41.3 | 35.0 |
|      | RED. EFETIVA  | 6.1   | 7.2   | 8.1   | 9.2   | 10.0  | 11.3  | 12.2  | 14.0  | 16.0  | 17.6  | 19.4  | 22.3  | 24.6  | 28.0  | 30.8  | 36.0 | 39.8 | 45.0 |
|      | TORQUE (Kgfm) | 1118  | 1150  | 1122  | 1104  | 1074  | 1065  | 1005  | 987   | 934   | 871   | 828   | 811   | 767   | 745   | 694   | 685  | 641  | 614  |
| H28  | POTÊNCIA (CV) | 607.5 | 537.3 | 472.3 | 411.1 | 367.7 | 325.7 | 290.3 | 250.3 | 209.7 | 177.9 | 153.5 | 131.0 | 112.4 | 95.9  | 81.4  | 68.9 | 58.3 | 49.4 |
|      | RED. EFETIVA  | 6.2   | 7.2   | 8.1   | 9.2   | 10.9  | 12.4  | 13.4  | 15.2  | 17.6  | 19.3  | 21.0  | 23.0  | 25.0  | 28.0  | 30.5  | 36.1 | 39.9 | 45.1 |
|      | TORQUE (Kgfm) | 1479  | 1520  | 1503  | 1485  | 1574  | 1586  | 1528  | 1494  | 1439  | 1338  | 1257  | 1175  | 1096  | 1047  | 968   | 970  | 907  | 869  |
| H29  | POTÊNCIA (CV) | 805.4 | 707.0 | 616.5 | 541.5 | 486.5 | 427.6 | 382.5 | 333.2 | 288.1 | 244.7 | 211.5 | —     | 155.3 | 132.7 | 112.7 | 95.5 | 81.0 | 68.8 |
|      | RED. EFETIVA  | 6.2   | 7.1   | 7.6   | 8.3   | 10.4  | 11.4  | 12.9  | 14.1  | 16.3  | 17.8  | 21.4  | —     | 25.8  | 27.0  | 32.5  | 36.1 | 41.0 | 45.5 |
|      | TORQUE (Kgfm) | 1961  | 1972  | 1840  | 1765  | 1987  | 1915  | 1938  | 1840  | 1831  | 1699  | 1765  | —     | 1560  | 1397  | 1428  | 1344 | 1295 | 1221 |

### DIMENSÕES (mm)



| TIPO | A   | B   | C   | D   | E   | F   | G   | H   | J   | ØK | L   | M  | N   | ØO | P   | ØR  | S   | U  | V    | W  | X    | Z    | LV  | RV | WV | XV   | YV  | PESO |
|------|-----|-----|-----|-----|-----|-----|-----|-----|-----|----|-----|----|-----|----|-----|-----|-----|----|------|----|------|------|-----|----|----|------|-----|------|
| H20  | 215 | 122 | 171 | 72  | 313 | 115 | 174 | 150 | 135 | 13 | 102 | 16 | 162 | 18 | 40  | 38  | 65  | 6  | 20,5 | 10 | 41   | 65   | 197 | 25 | 8  | 28,3 | 40  | 48   |
| H21  | 280 | 133 | 192 | 81  | 358 | 139 | 217 | 180 | 165 | 13 | 130 | 19 | 198 | 22 | 45  | 42  | 80  | 6  | 24,5 | 12 | 45   | 69,5 | 243 | 30 | 8  | 33,3 | 45  | 65   |
| H22  | 305 | 154 | 215 | 93  | 403 | 154 | 240 | 201 | 176 | 13 | 146 | 23 | 218 | 24 | 50  | 48  | 90  | 8  | 27,0 | 14 | 51,5 | 77   | 254 | 35 | 10 | 38,3 | 60  | 92   |
| H23  | 333 | 175 | 240 | 94  | 450 | 170 | 257 | 222 | 185 | 13 | 160 | 30 | 235 | 28 | 50  | 55  | 100 | 8  | 31,0 | 16 | 59   | 80   | 276 | 40 | 12 | 43,3 | 60  | 110  |
| H24  | 380 | 183 | 272 | 114 | 506 | 189 | 284 | 238 | 215 | 17 | 185 | 30 | 268 | 32 | 65  | 65  | 120 | 10 | 35,0 | 18 | 69   | 106  | 303 | 50 | 14 | 53,8 | 70  | 152  |
| H25  | 405 | 208 | 305 | 124 | 564 | 212 | 317 | 267 | 235 | 17 | 200 | 33 | 305 | 38 | 70  | 75  | 140 | 10 | 41,0 | 20 | 79,5 | 109  | 333 | 55 | 16 | 59,3 | 80  | 200  |
| H26  | 430 | 240 | 340 | 136 | 620 | 230 | 340 | 275 | 258 | 17 | 205 | 48 | 332 | 42 | 80  | 80  | 155 | 12 | 45,0 | 22 | 85   | 125  | 354 | 65 | 18 | 69,4 | 90  | 270  |
| H27  | 480 | 274 | 385 | 135 | 685 | 253 | 405 | 345 | 290 | 23 | 234 | 50 | 372 | 48 | 90  | 90  | 170 | 14 | 51,5 | 25 | 95   | 125  | 404 | 75 | 20 | 79,9 | 100 | 370  |
| H28  | 510 | 303 | 430 | 148 | 765 | 285 | 415 | 364 | 340 | 23 | 250 | 55 | 421 | 50 | 120 | 100 | 200 | 14 | 53,5 | 28 | 106  | 137  | 443 | 80 | 22 | 85,4 | 110 | 475  |
| H29  | 619 | 330 | 480 | 154 | 867 | 320 | 471 | 405 | 374 | 26 | 293 | 65 | 465 | 60 | 130 | 110 | 220 | 18 | 64,0 | 28 | 116  | 152  | 490 | 85 | 22 | 90,4 | 120 | 660  |

| FATOR DE VELOCIDADE FV (POT. EQUIV.=POT TABELA x FV) | rpm | 1500 | 1200 | 900 | 600  | 300 | 100 |
|--|-----|------|------|-----|------|-----|-----|
|  | FV  | 0,87 | 0,71 | 0,6 | 0,43 | 0,2 | 0,1 |